



Under Water Comet Spotlight



68UW-P03-WQ5M16

Under Water Comet Spotlight

Sleek and stylish, that is U-Tron's Under Water Comet spot light. It has a very focussed beam that is excellent for swimming pools or under water applications.

Product Technical Data

General Informaion

Socket Type	MR16
Life Span	50000hr

Product Dimensions

Circular Diameter	53mm
Lamp Height	124mm

Light Characteristics

Efficacy	65lm/W
Beam Angle	40/45 D
CCT	2700K
Flux	221m
	80

Ordering Information

Product Number	68UW-P03-WQ5M16
Product Name	Under Water Comet
Product Ordering Name	Under Water Comet 221 lm 3.4W MR16

Color Rending Index

Electrical Characteristics

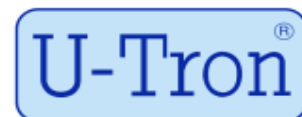
Wattage	3.4W
Voltage	12V DC/AC

Pieces Per Pack	1
Packs Per Carton	240
Net Weight Per Piece	130 Grams

Temperature

Operating Temp.	-30(min), 65(max)C
Storage	-40(min), 65(max)C

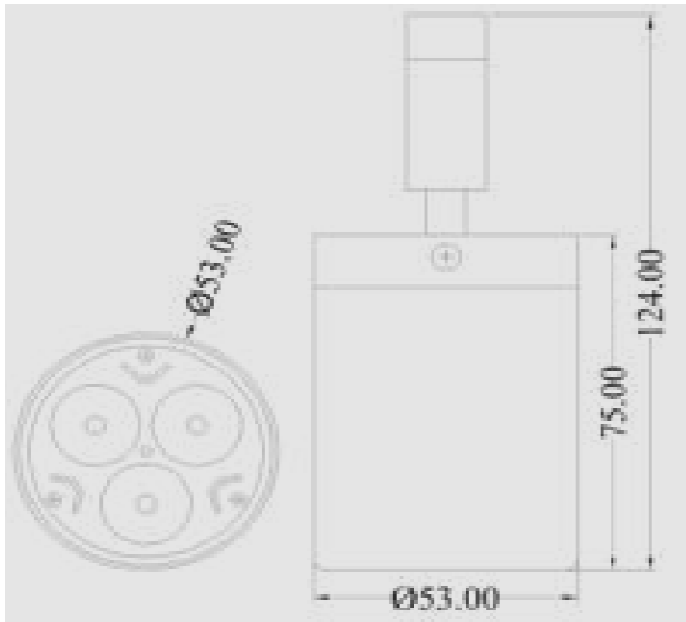
www.u-tron.com



Under Water Comet Spotlight

68UW-PO3-WQ5M16

Technical Drawing



©2013 U-Tron (Beijing) Electronics Co., LTD

All rights reserved

Specifications are subject to change without notice

15-Mar-13

data subject to change

